

Winches



Contents	Page
Winch Kit Quick Reference Guide - Electric	56
Winch Kit Quick Reference Guide - Manual	57
S4000 Superwinch, Spares and Accessories	58
Braked Mechanical Winches 2 & 3 tonne models	59
Spare Parts for 2 & 3 tonne (Non Braked) Mechanical winches	60
Spare Parts for 2 & 3 tonne (Braked) Mechanical winches	61
Speed 3000kg Braked Winches & Fulton Automatic Braked Winches	62
Dutton Lanson Winches	63

To order see pages 4&5 for distributor details or call 0845 4082 505. Prices available on separate Spares Pricelist

Part Code	Description	Parts included in kit	Compatible with
KS6154	Winch & Power Lead Kit.	S4000 Superwinch and all fittings to power from the vehicle battery (6.3m of red and black cables included).	CT177G
KX6155	Winch, Bracket & Battery Kit	S4000 Superwinch, battery, mounting bracket and all fittings.	CT177G
KX6171	Winch, Bracket & Power Lead Kit	S4000 Superwinch, mounting bracket, offset spare wheel bracket, heavy duty jockey wheel with angled handle for clearance and all fittings to power from the vehicle battery (6.3m of red and black cables included).	LM/LT Flatbed range, CT Tiltbed
KX6172	Winch, Bracket & Battery Kit	S4000 Superwinch, battery, winch bracket, battery tray, offset spare wheel bracket, heavy duty jockey wheel with angled handle for clearance.	LM/LT Flatbed range, CT Tiltbed
KX6181	Winch, Bracket & Power Lead Kit.	S4000 Superwinch, mounting bracket and all fittings to power from the vehicle battery (7.25m of red and black cables included).	TT105G, TT126G



Part Code	Description	Compatible with
KX6066	Winch Mounting & Support Bracket GD4	The P04685B 2 tonne winch for the GD4M range of trailers
KX60665	Winch Mounting & Support Bracket GD4	The P04680B 3 tonne winch for the GD4M twin axle range of trailers
KX6067	Winch Mounting & Support Bracket GD5	The P04685B 2 tonne winch for the GD5M range of trailers
KX60675	Winch Mounting & Support Bracket GD5	The P04680B 3 tonne winch for the GD5M twin axle range of trailers
KX6068	Winch Mounting & Support Bracket GD6	The P04685B 2 tonne winch for the GD6M range of trailers
KX60685	Winch Mounting & Support Bracket GD6	The P04680B 3 tonne winch for the GD6M range of trailers
KX5525	Winch Mounting Bracket CT115	The P04705, P04706 & P04707 Fulton winches for the CT115 range of trailers
KX5528	Winch Mounting Bracket CT136	The P04705, P04706 & P04707 Fulton winches for the CT136 range of trailers
AS4919	Winch Mounting Bracket	The P0451 Dutton Lainson winch for the LT/LM range of trailers
AS4925	Winch Mounting Bracket	The P0451 Dutton Lainson winch for the GD Imperial range of trailers

Manual Winch & Bracket Kits

Part Code	Description	Parts included in kit	Compatible with
KX35311	1050Kg Manual Winch Kit	P04706 Fulton winch, mounting tube and bracket	GH64 & GH94 (pre April 2010)
KX35321	1050Kg Manual Winch Kit	P04706 Fulton winch, mounting tube and bracket	GH94 (from April 2010), GH94BT & GH1054



To order see pages 4&5 for distributor details or call 0845 4082 505. Prices available on separate Spares Pricelist



- 1 P0450 **Superwinch S4000.** Electrical cable winch, features 2 x 1.35m black & red cables, 8mm terminals, battery protector, 1 tonne hook, 15m wire on drum & Q/D pulley block.
- 2 P04502 **Wire Rope.** 7/32" x 60'
- P04503 **Motor.** 12v.
- 3 P04504 **Remote Control.** 9m length of cable
- 4 P04505 **Solenoid.** 12v.
- P04507 **Cable Guard.**
- P04508 **Socket.** Receiver from remote control plug
- 5 P0670 **Isolator Switch.** Battery isolator supplied with one removable key.
- 6 P0670A **Isolator Key.** Spare key for isolator switch.
- 7 P0728 **Terminal.** Crimps onto 16 square mm cross sectional cable for wiring winches and other heavy duty accessories.
- 8 P0733 **Cable Red.** 16 square mm cross sectional area for wiring winches and other heavy duty accessories. Sold per metre.
- 9 P0734 **Cable Black.** 16 square mm cross sectional area for wiring winches and other heavy duty accessories. Sold per metre.
- 10 P1127 **Connector.** 2 pole electrical connector for winch or tipper motor (2 required to make a plug / socket connection)
- 11 AS5405 **Winch Bracket.** For the LM /CT range. Compatible with the Rule V60RE & Superwinch S4000 winches.
- AS5406 **Winch Bracket.** For the TT105G / TT126G. Compatible with the Rule V60RE & Superwinch S4000 winches.

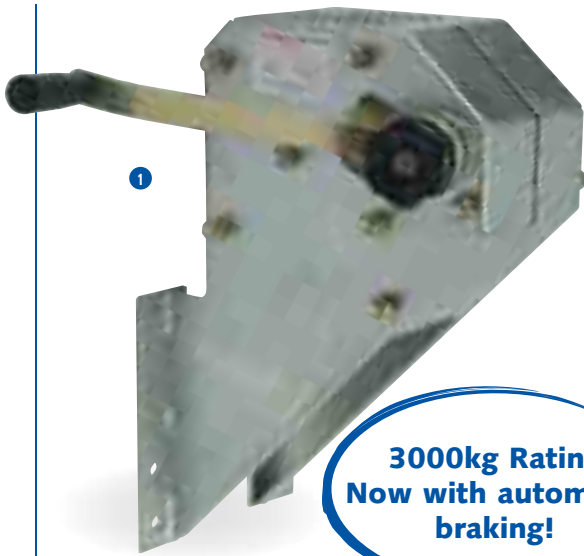
Winches

2000KG & 3000KG Mechanical braked winches

Can be bolted straight to the LT/LM range.
Specially designed to fit Ifor Williams Trailers.

Ifor Williams
Parts®

Page
59



3000kg Rating
Now with automatic
braking!



2000kg Rating
Now with automatic
braking!

- 1 P04680B 3000kg Mechanical Winch.
- 2 P04685B 2000kg Mechanical Winch.

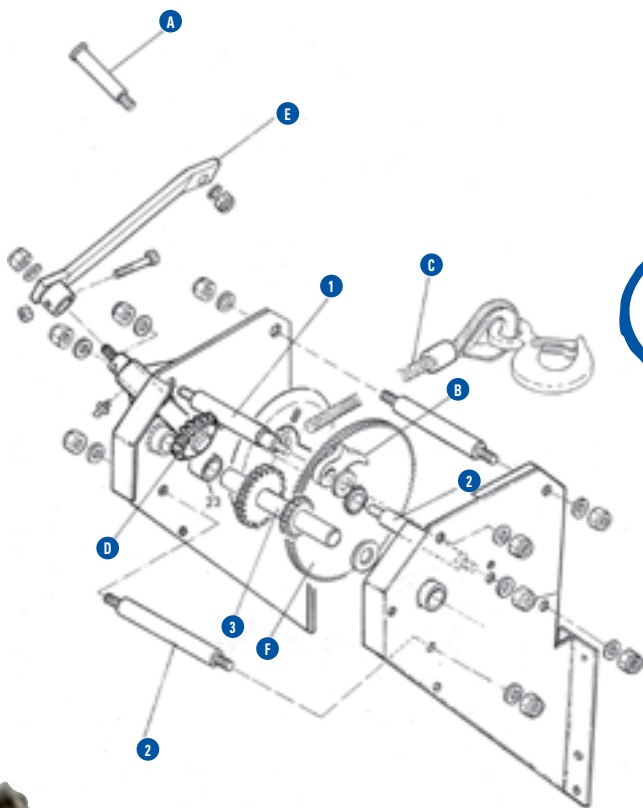
Features

British made winches. Specifically designed to bolt straight onto the LT, LM & GP range and onto the GD range using a separate mounting bracket kit. Automatic brake that will hold the load on the cable if the operator were to release the handle. Fitted with a 12 metre long, 8mm diameter wire rope with an eye hook. All parts are either zinc plated or galvanised offering superior corrosion resistance. All moving parts are fully guarded. Angled winding handle for smooth operation. Gears are machined from solid blanks, to ensure a long and trouble free life needing only the minimum of maintenance.

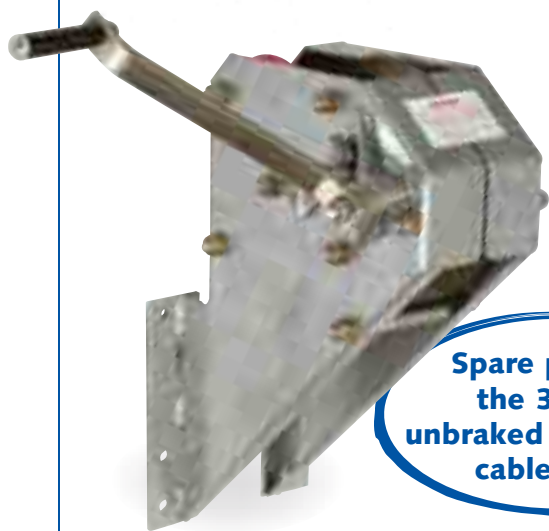
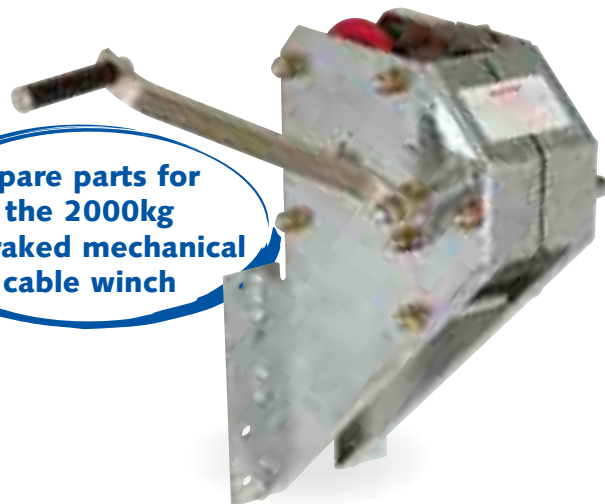
To order see pages 4&5 for distributor details or call 0845 4082 505. Prices available on separate Spares Pricelist



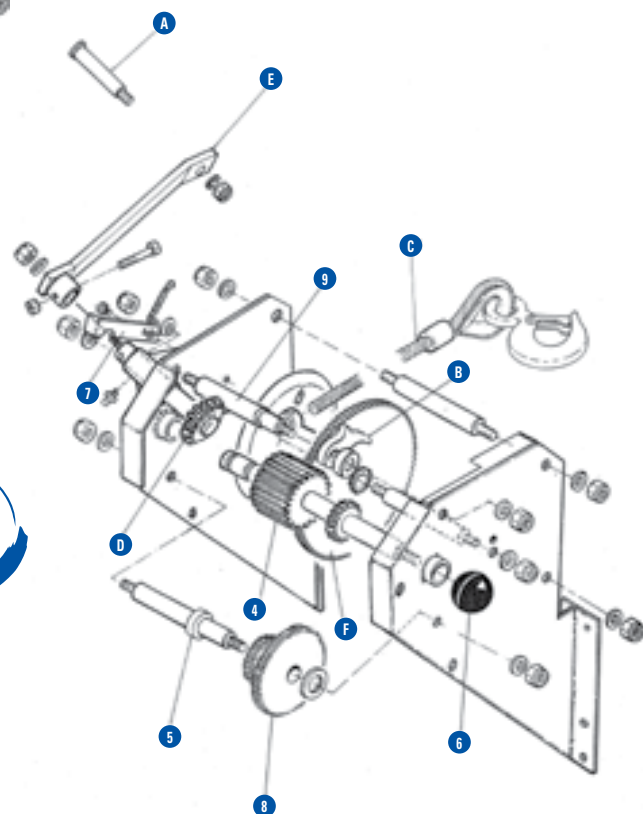
To order see pages 4&5 for distributor details or call 0845 4082 505. Prices available on separate Spares Pricelist



Spare parts for
the 2000kg
unbraked mechanical
cable winch



Spare parts for
the 3000kg
unbraked mechanical
cable winch



2 TONNE PARTS

- 1 P046831 Ratchet Shaft. 2 tonne mechanical winch body spacer with machined portion for ratchet.
- 2 P046830 Spacer. 2 tonne mechanical winch body spacer.
- 3 P046841 2 Tonne Idler Shaft.

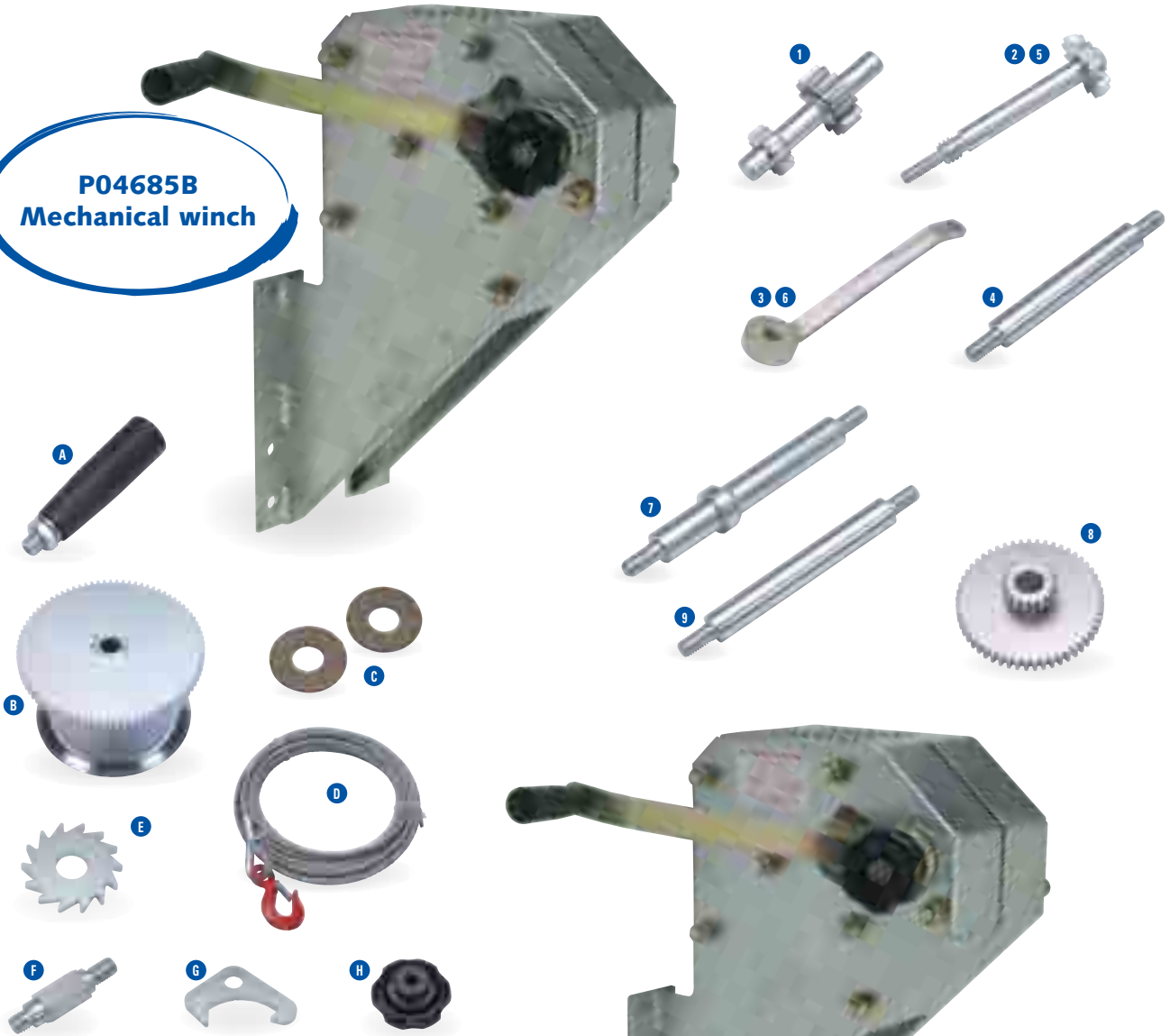
COMMON PARTS (2 & 3 TONNE)

- A P046843 Handle Shaft.
- B P04691 Ratchet. For the 2 or 3 tonne mechanical winches (P04680/P04685).
- C P04693 Rope & Hook. For the 2 or 3 tonne mechanical winches (P04680/P04685).
- D P04692 Drive Shaft. For the 2 or 3 tonne mechanical winches (P04680/P04685).
- E P04695 Handle. For the 2 or 3 tonne mechanical winches (P04680/P04685).
- F P04690 Winch Drum. To suit 2 and 3 tonne mechanical winches.

3 TONNE PARTS

- 4 P04683 Gear Change Shaft. For the 3 tonne mechanical winches (P04680).
- 5 P04684 Idler Shaft. For the 3 tonne mechanical winches (P04680).
- 6 P046817 Knob. 3 tonne mechanical winch M12 plastic knob.
- 7 P04682 Gear Change Lever.
- 8 P04681 Double Gear.
- 9 P046811 Ratchet Shaft. 3 tonne mechanical winch body spacer with machined portion for ratchet.

**P04685B
Mechanical winch**



**P04680B
Mechanical winch**

2 TONNE PARTS

- 1 P046834 Idler Shaft.
- 2 P046835 Drive Gear Shaft.
- 3 P046951 Handle Arm (Left Hand Thread).
- 4 P046830 Body Shaft.

COMMON PARTS (2 & 3 TONNE)

- A P046843 Revolving Handle.
- B P04690 Drum.
- C P046842 Brake Pad.
- D P04693 Rope & Hook.
- E P046844 Ratchet Gear.
- F P046845 Ratchet Spigot.
- G P046846 Double Ratchet.
- H P046847 Plastic Knob.

3 TONNE PARTS

- P046836 Idler Shaft.
- 5 P046837 Drive Gear Shaft.
- 6 P046952 Handle Arm (Right Hand Thread).
- 7 P04684 Double Gear Shaft.
- 8 P04681 Double Gear.
- 9 P04688 Body Shaft.

SPEED 3000KG BRAKED MECHANICAL WINCHES

1 P04702 3000kg Mechanical Winch. Fitted with a webbing strap.

Features

All parts either galvanised or zinc plated offering superior corrosion resistance. All moving parts fully guarded. Automatic braking system. The high build quality and materials used will ensure a long trouble free life needing only the minimum of maintenance. A gravity operated ratchet means that there is no spring to weaken or lose. Gears machined from solid blanks, to ensure long life and trouble free operation.

P04702D Drum. Replacement drum for the P04702 strap winch

P04702S Strap. Replacement strap & hook for the P04702 strap winch.

P04690 Drum. Replacement drum for the P04703 cable winch.

P04693 Wire Rope. Replacement wire rope & hook for the P04703 cable winch.

KS5551 Winch Kit. Includes P04703 3000kg mechanical winch, fitted with an 8mm diameter, 12m long galvanised rope with eye hook and an angled bracket to enable the winch to be bolted onto the CT177G standard bracket.

Speed 3000KG
Braked Mechanical
winches - Bolt onto
the standard bracket
of the CT177G



FULTON AUTOMATIC BRAKE WINCHES

2 P04705 Circuit Winch. 600kg.

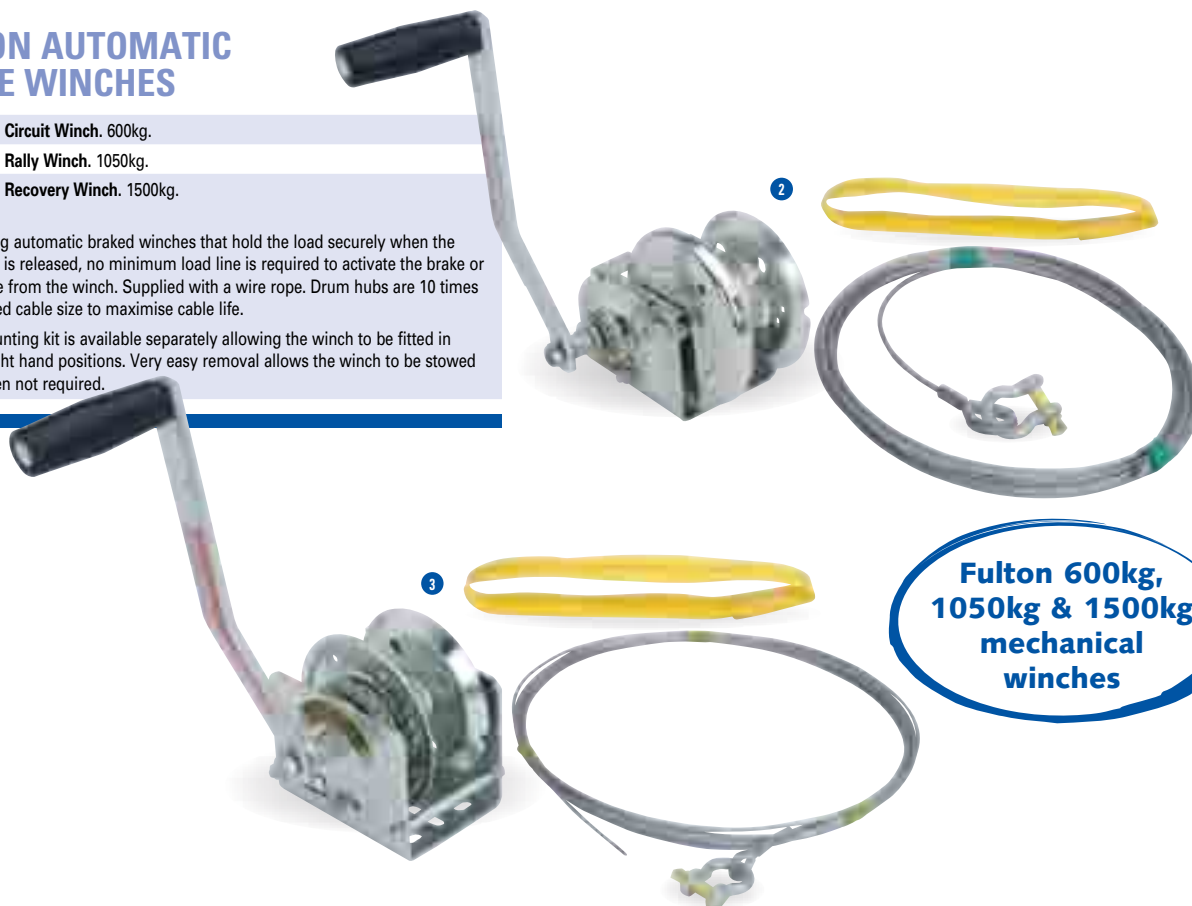
3 P04706 Rally Winch. 1050kg.

P04707 Recovery Winch. 1500kg.

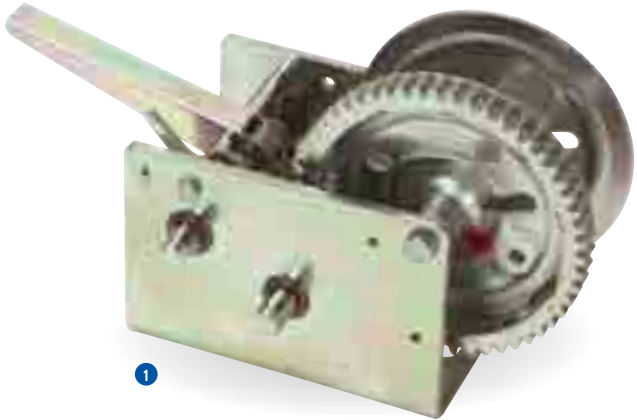
Features

Self-activating automatic braked winches that hold the load securely when the crank handle is released, no minimum load line is required to activate the brake or pay out cable from the winch. Supplied with a wire rope. Drum hubs are 10 times recommended cable size to maximise cable life.

A winch mounting kit is available separately allowing the winch to be fitted in the left or right hand positions. Very easy removal allows the winch to be stowed securely when not required.



Fulton 600kg,
1050kg & 1500kg
mechanical
winches



1



3



2

1 P0451 Dutton - Lainson 1134kg Ratchet Winch.

Features

Hardened drive gears for longer life, rigid welded reel construction. Tuffplate finish for greater rust resistance. Permanently lubricated bearings.

P0451H Replacement Handle.

P0451C Replacement Cable & Hook. 7m long, 5mm diameter.

2 AS4919 Winch Bracket. Used to fit the winch to the LT/LM range of trailers.

3 AS4925 Winch Bracket. Used to fit the winch to the GD4 & GD5 imperial range of trailers.

